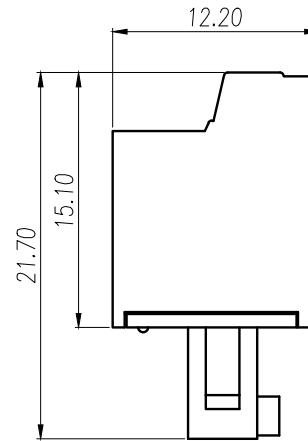
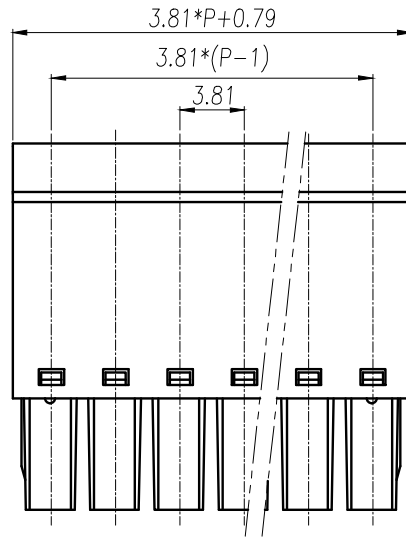
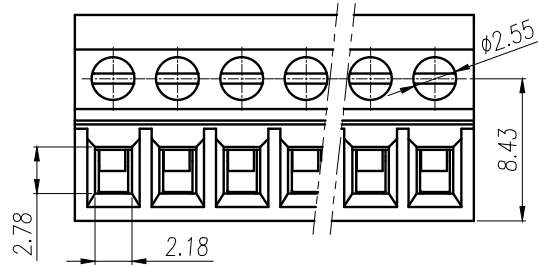


REVISION RECORD			
REV.	CONTENT	MOD.	DATE
△0	初版发行		



NOTES:

1. Voltage Rating: 300V, Current Rating: 8A
2. PITCH: 3.81mm
3. Insulation Withstands Voltage: AC2500V/min
4. Insulation Resistance: 5000MΩ or more at DC1000V
5. Using Temperature Range: -40° C - +105° C
6. Suitable Electric Wire: 28-16AWG
7. Screw Torque Value: 0.22Nm

技术要求:

1. 额定电压: 300V, 额定电流: 8A
2. 间距: 3.81mm
3. 耐电压值: AC 2500V/min
4. 绝缘阻抗: 5000兆欧/DC1000V
5. 使用条件: -40° - +105°
6. 适用线规: 28-16AWG
7. 螺丝扭力: 0.22Nm

6	LC3-3.81-夹子	1010B0002AV	P	磷青铜	镀镍
5	LC3-3.81-方盒	F1A0ALC338AV	P	碳钢	三价铬钝化彩锌
4	LC3-3.81-压块	1010B0001AV	P	碳钢	三价铬钝化彩锌
3	LC3-3.81-螺丝(一字平头)	SPOYA256452V	P	碳钢	三价铬钝化彩锌
2	LC3-3.81-盖板	1148C0YXXAV	1	PA66-V0	
1	LC3-3.81-主体	1148A0YXXAV	1	PA66-V0	
NO.	NAME OF PART	NO. OF PART	Q' TY	MATERIAL	NOTES
DES.	WY	DATE	2021/11/30	UNITS	MM
CHK.		DATE		SIZE	A4
APP.		DATE		SCALE	1:1
				DWG NO.	SP-1-LC33810
				TITLE	LC3-3.81-XXP-1Y-00A
					LC3-3.81-成品

	pitch dimension			Nominal dimension					— ▭ ⌒
	over 0	over 6	over 10	over 0	over 30	over 60	over 100	over 150	
variable range	to 6	to 10	to 24	to 30	to 60	to 100	to 150		
Tolerance	±0.1	±0.15	±0.25	±0.2	±0.3	±0.5	±0.7	±1.0	



上海有乐电气有限公司
Shanghai YouLe Electric Co., Ltd

TITLE

LC3-3.81-XXP-1Y-00A
LC3-3.81-成品