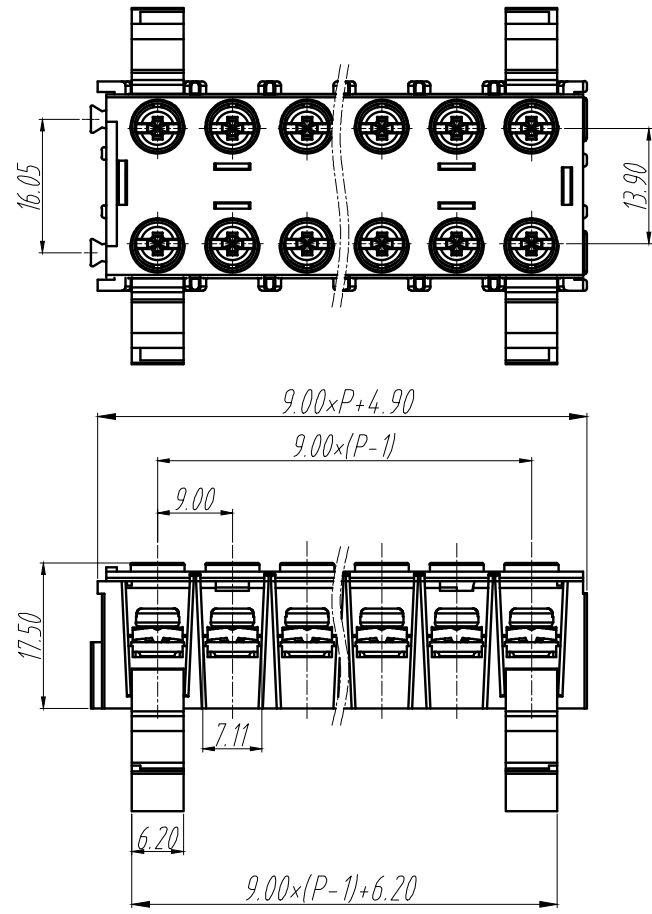
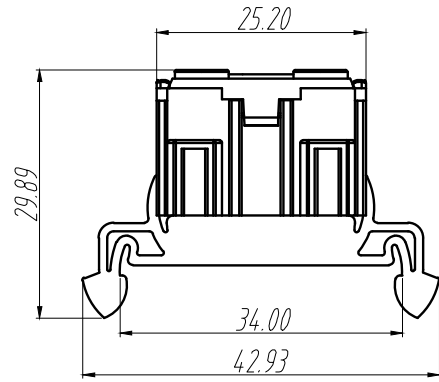


REVISION RECORD			
REV.	CONTENT	MOD.	DATE
△	初版发行		



NOTES:
 Pitch : 9.0mm
 Rated Voltage : 600V
 Rated Current : 15A
 Withstand Voltage : AC3000V for 1 minute
 Insulation Resistance : 1000MΩ / DC1000V
 Using Temperature Range : -40 ~ +105
 Suitable Electric Wire : 22-16 AWG
 Screw Torque Value : M3/0.5Nm

技术要求:
 间距: 9.0mm
 额定电压: 600V
 额定电流: 15A
 耐电压值: AC3000V/min
 绝缘阻抗: 1000MΩ/DC1000V
 使用条件: -40℃~+105℃
 适用线规: 22-16 AWG
 螺丝扭矩: M3/0.5Nm



	pitch dimension			Nominal dimension					— □ ○
	over 0	over 6	over 10	over 0	over 30	over 60	over 100	over 150	
variable range	to 6	to 10	to 24	to 30	to 60	to 100	to 150		
Tolerance	±0.1	±0.15	±0.25	±0.2	±0.3	±0.5	±0.7	±1.0	0.05/10

7	DG-L-C45/2米	6JH9LDG0001V	1	铝	
6	KJ2452-卡脚	6TB1J300153V	2	PA66-V0	黑色
5	标记条		1	A4膜膜纸	
4	3.7*6.5*6.5三价五价盐雾过48小时	3.7*6.5*6.5三价五价盐雾过48小时	2P	碳钢	三价铬钝化彩锌
3	JH9-15A导电件	6JH9BDD015AV	P	黄铜	镀镍
2	TB1-15-H盖板	6TB1C701050V-H	1	PC	透明
1	TB1-15-H主体	6TB1E301050V-H	1	PC	黑色

NO.	NAME OF PART	NO. OF PART	Q'TY	MATERIAL	NOTES
DES.	ZJL	DATE	2021/12/31	UNITS	mm
CHK.		DATE		SIZE	A4
APP.		DATE		SCALE	1:1
				DWG NO.	SP-1-6TB1H15
				TITLE	TB1-15XX-H-130-00A
					TB1-15XX-H成品

上海有乐电气有限公司
 Shanghai YouLe Electric CO.,LTD

THIRD ANGLE PROJECTION
 SHEET 1 of 1
 REV: V0