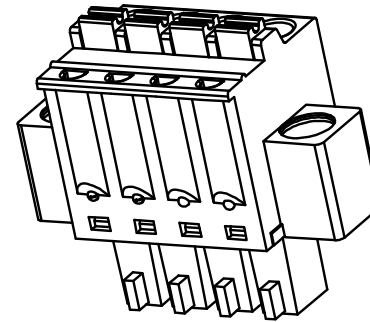
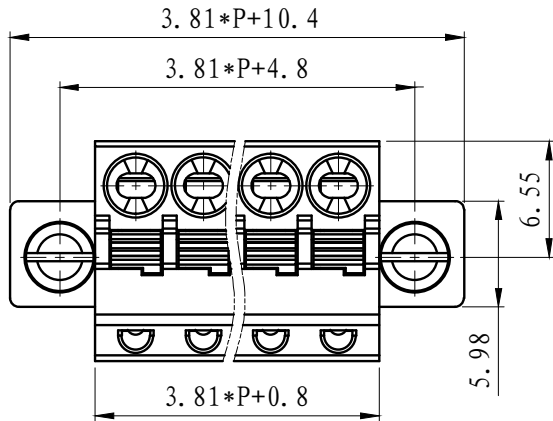
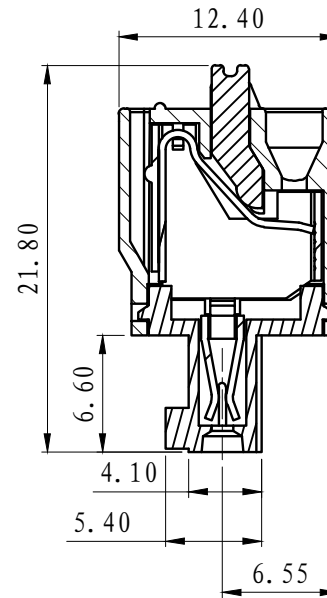
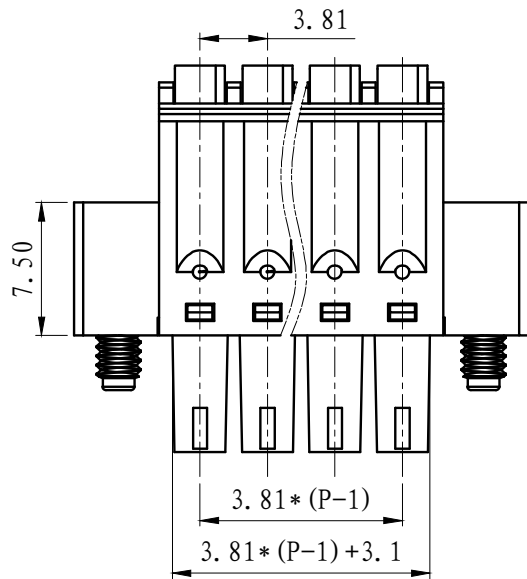


REVISION RECORD			
REV.	CONTENT	MOD.	DATE
△	初版发行		



**NOTES:**

Pitch : 3.81mm  
 Rated Voltage : 300V  
 Rated Current : 8A  
 Withstand Voltage :  
 AC2500V for 1 minute  
 Insulation Resistance :  
 5MΩ / DC500V  
 Using Temperature Range :  
 - 40℃ ~ + 105℃  
 Wire range : 28~ 16AWG  
 Stripping length: 10mm



**技术要求:**

间距: 3.81mm  
 额定电压: 300V  
 额定电流: 8A  
 耐电压值: AC2500V/min  
 绝缘阻抗: 5MΩ/DC500V  
 使用条件: -40℃ ~ +105℃  
 适用线规: 28~16AWG  
 剥线长度: 10mm

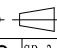
	pitch dimension			Nominal dimension					—
	over 0	over 6	over 10	over 0	over 30	over 60	over 100	over 150	
variable range	to 6	to 10	to 24	to 30	to 60	to 100	to 150		◇
Tolerance	±0.1	±0.15	±0.25	±0.2	±0.3	±0.5	±0.7	±1.0	○

6	耳朵螺丝	SP0YA255101V	2	碳钢	三价铬钝化彩锌
5	LC6-3.81-弹片	F2A0DLC638BV	P	不锈钢	
4	LC6-3.81-夹子	1043B0001AV	P	磷青铜	镀镍
3	LC6-3.81-按钮	1043D0YXXAV	P	PA66-V0	
2	LC6-3.81-盖板	1043C0YXXAV	1	PA66-V0	
1	LC6M-3.81-主体	1043M0YXXAV	1	PA66-V0	

NO.	NAME OF PART	NO. OF PART	Q'TY	MATERIAL	NOTES
DES.	ARKINE	DATE	2012/4/29	UNITS	mm
CHK.		DATE		SIZE	A4
APP.		DATE		SCALE	

上海有乐电气有限公司  
 Shanghai YouLe Electric CO.,LTD

TITLE  
 LC6M-3.81-XXP-1Y-00A  
 LC6M-3.81-成品

THIRD ANGLE PROJECTION SHEET  
  
 1 of 1  
 DWG NO. SP-2-1043001 REV: V4