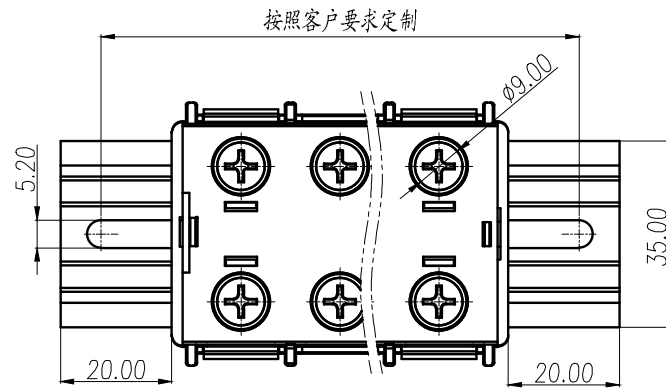
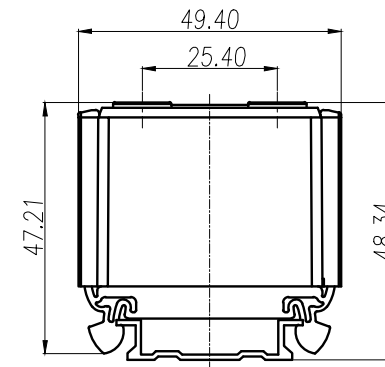
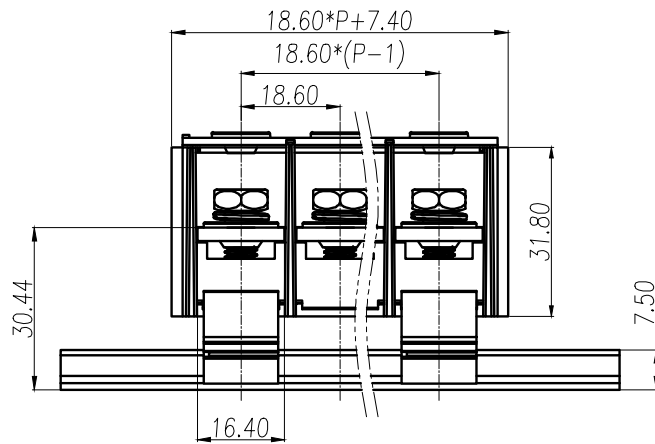


REVISION RECORD			
REV.	CONTENT	MOD.	DATE
①	初版发行		



技术要求:
 额定电压: 600V
 额定电流: 101A
 螺钉类型/扭力: M6/3.0 Nm
 绝缘材料类型: PC
 阻燃等级: V0
 导线截面: 25mm² max



	pitch dimension			Nominal dimension					—
	over 0 to 6	over 6 to 10	over 10 to 24	over 0 to 30	over 30 to 60	over 60 to 100	over 100 to 150	150	
variable range	0 to 6	6 to 10	10 to 24	0 to 30	30 to 60	60 to 100	100 to 150	150	□ ○
Tolerance	±0.1	±0.15	±0.25	±0.2	±0.3	±0.5	±0.7	±1.0	0.05/10

5	标记条		1	A4膜纸	空白
4	6*12-14圆三铁外六角+字	6*12-14圆三铁外六角+字	2P	碳钢	镀蓝白锌
3	JH9-100ADDJ-导电件	JH9-100A导电件	P	黄铜	镀镍
2	TB1-10003-A盖板	6TB1C70XX000V	1	PC	透明
1	TB1-10003-II主体	6TB1A30XX000V-1	1	PC	黑色
NO.	NAME OF PART	NO. OF PART	QTY	MATERIAL	NOTES
DES.	III	DATE	2021/07/19	UNITS	mm
CHK.		DATE		SIZE	A4
APP.		DATE		SCALE	1:1
				DWG NO.	SP-2-6TB100K
				REV:	V0
上海有乐电气有限公司 Shanghai YouLe Electric CO.,LTD				TITLE	
				TB1-100XX-II-130-00A TB1-100XX-II成品	