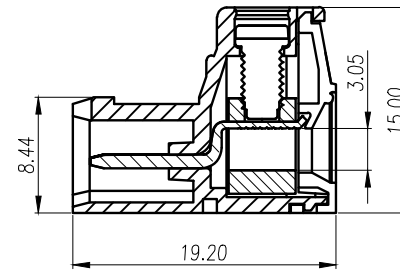
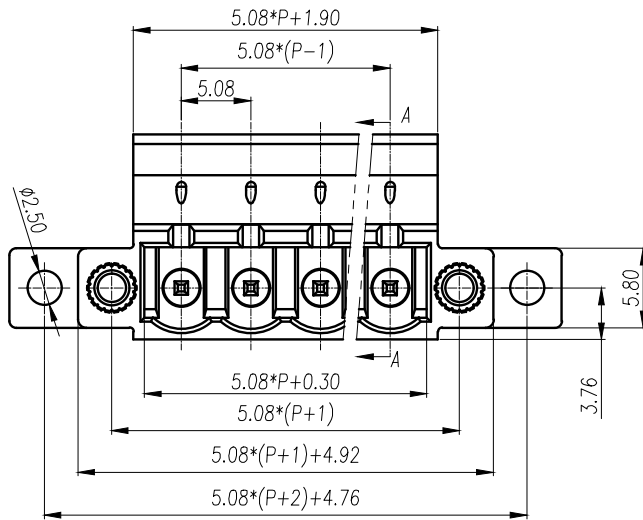
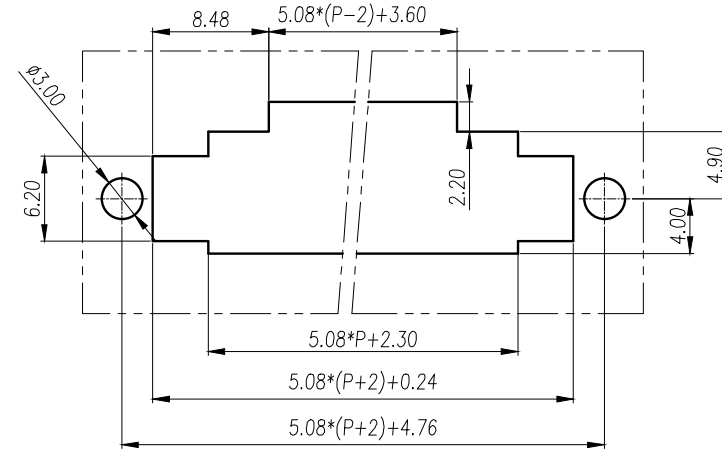
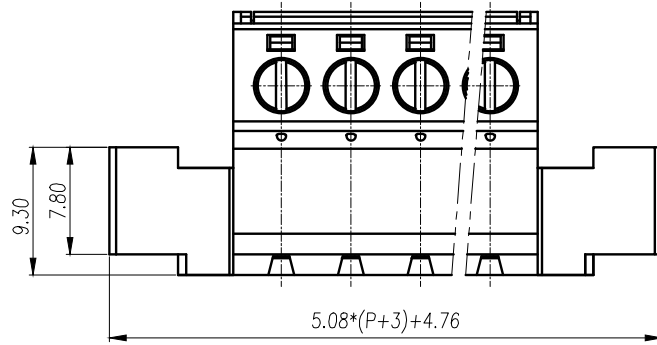


REVISION RECORD

REV.	CONTENT	MOD.	DATE
△	初版发行		



NOTES:  
 Pitch : 5.08mm  
 Rated Voltage : 300V  
 Rated Current : 15A  
 Withstand Voltage :  
 AC2500V for 1 minute  
 Insulation Resistance :  
 500MΩ / DC500V  
 Using Temperature Range :  
 -40℃ ~ +105℃  
 Wire range : 24-12 AWG  
 Screw Torque Value : 0.5 N.m

技术要求:  
 间距: 5.08mm  
 额定电压: 300V  
 额定电流: 12A  
 耐电压值: AC2500V/min  
 绝缘阻抗: 500MΩ/DC500V  
 使用条件: -40℃~+105℃  
 适用线规: 24-12 AWG  
 螺丝扭矩: 0.5 N.m

	pitch dimension			Nominal dimension					— /
	over 0	over 6	over 10	over 0	over 30	over 60	over 100	over 150	
variable range	to 6	to 10	to 24	to 30	to 60	to 100	to 150		□ ○
Tolerance	±0.1	±0.15	±0.25	±0.2	±0.3	±0.5	±0.7	±1.0	0.05/10

6.	LZ1-耳朵螺母	SM00B250000V	2	碳钢	三价铬钝化彩锌
5.	LC10-5.08-焊脚	1011B00010V	P	紫铜	镀雾锡
4.	LC1-5.08-螺丝	SPOYA305301V	P	碳钢	三价铬钝化彩锌
3.	LC1-5.08-铜方块	F1A0BLC5083V	P	黄铜	镀锌
2.	LC1-5.08-盖板	1001COYXXAV	1	PA66-V0	
1.	LC10MGC1-5.08-本体	1165MOYXXAV	1	PA66-V0	
NO.	NAME OF PART	NO. OF PART	Q'TY	MATERIAL	NOTES
DES.	HH	DATE	2019/11/07	UNITS	MM
CHK.		DATE		SIZE	A4
APP.		DATE		SCALE	1:1
				DWG NO.	SP-2-1011003
				REV:	V0

上海有乐电气有限公司  
 Shanghai YouLe Electric CO., LTD

TITLE  
 LC10MGC1-5.08-XP-1Y-00A  
 LC10MGC1-5.08-成品