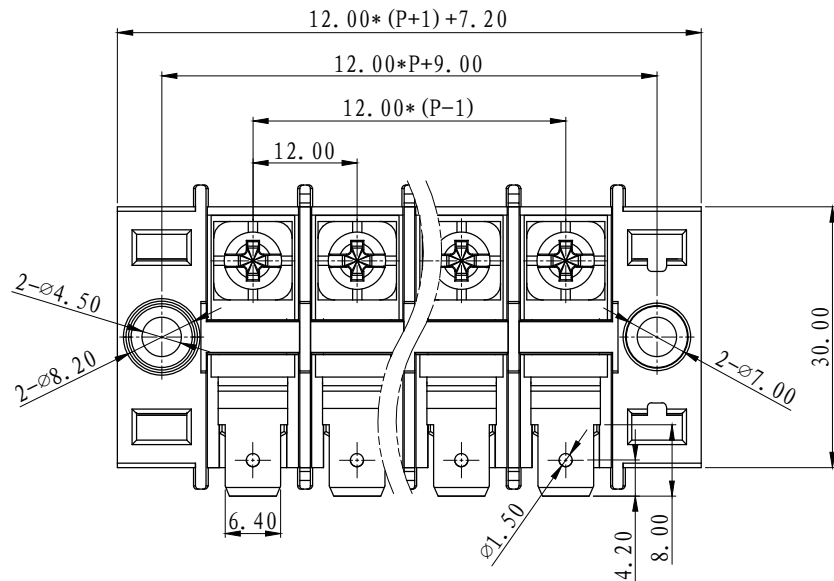


REVISION RECORD

REV.	CONTENT	MOD.	DATE
△	初版发行		

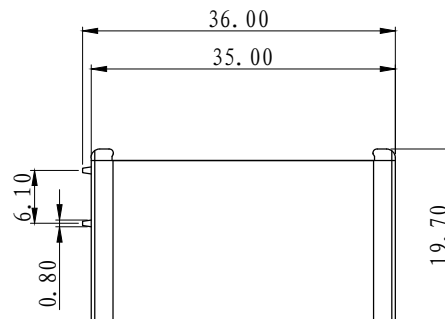
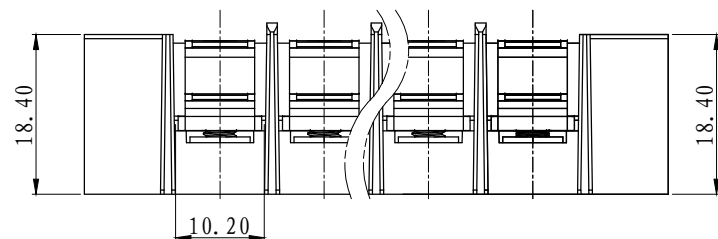


NOTES:

Pitch : 12.0mm
 Rated Voltage : 600V
 Rated Current : 25A
 Withstand Voltage :
 AC3000V for 1 minute
 Insulation Resistance :
 1000MΩ / DC1000V
 Using Temperature Range :
 - 40℃ ~ + 105℃
 Suitable Electric Wire: 22-14 AWG
 Screw Torque Value : M4/1.8Nm

技术要求:

间距: 12.0mm
 额定电压: 600V
 额定电流: 25A
 耐电压值: AC3000V/min
 绝缘阻抗: 1000MΩ/DC1000V
 使用条件: -40℃~+105℃
 适用线规: 22-14 AWG
 螺丝扭矩: M4/1.8Nm



	pitch dimension			Nominal dimension					— /
	over 0 to 6	over 6 to 10	over 10 to 24	over 0 to 30	over 30 to 60	over 60 to 100	over 100 to 150	0.05/10	
variable range	0 to 6	6 to 10	10 to 24	0 to 30	30 to 60	60 to 100	100 to 150	0.05/10	
Tolerance	±0.1	±0.15	±0.25	±0.2	±0.3	±0.5	±0.7	±1.0	

5	TB1-25A-白条		1	A4腹膜纸	
4	M4*9-10*10	SPFFA409073V	P	碳钢	镀锌
3	M4外六角螺母	SM00A000004V	P	铁	镀锌
2	JX0-66-导电件	6JX0BDD066AV	P	黄铜	镀镍
1	TB1-25XX-本体(一进二出、一进三出)	6TB1E0Y2XX0V-2	1	PC	
NO.	NAME OF PART	NO. OF PART	Q'TY	MATERIAL	NOTES
DES.	陈明珠	DATE	2024/04/02	UNITS	mm
CHK.	张华丰	DATE	2024/04/02	SIZE	A4
APP.		DATE		SCALE	1:1
				DWG NO.	SP-2-6TB1020
				REV:	V0
上海有乐电气有限公司 Shanghai YouLe Electric CO.,LTD				TITLE	TB1-25XX-B-1Y-00A TB1-25XX-B成品