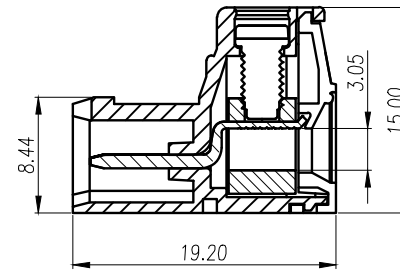
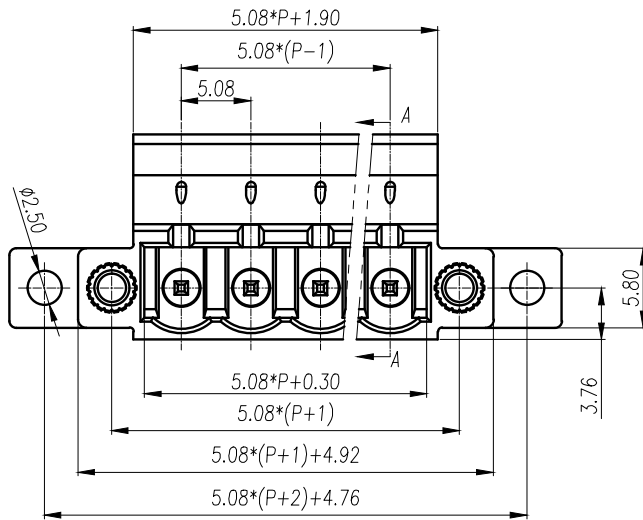
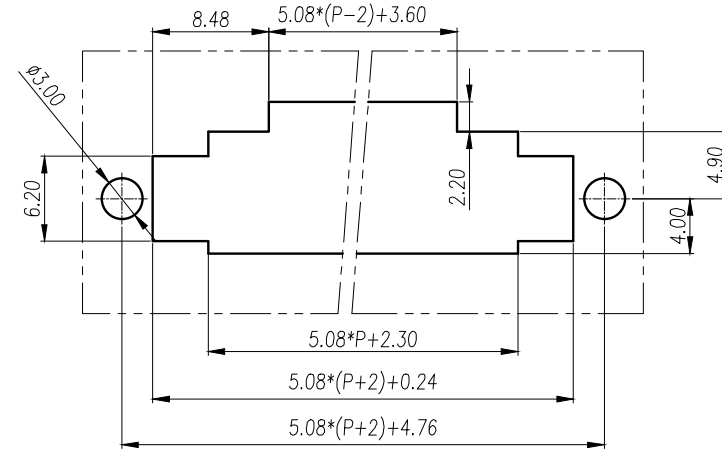
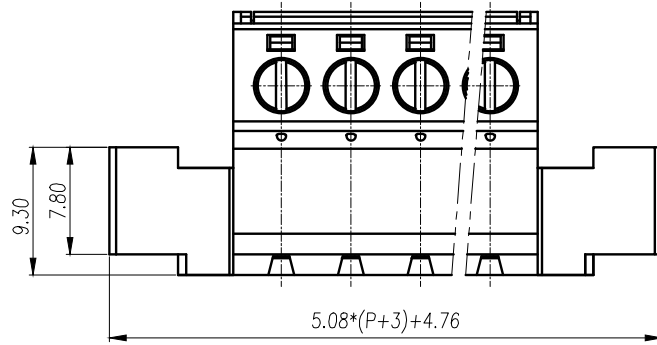


REVISION RECORD

REV.	CONTENT	MOD.	DATE
△	初版发行		



NOTES:
 Pitch : 5.08mm
 Rated Voltage : 300V
 Rated Current : 15A
 Withstand Voltage :
 AC2500V for 1 minute
 Insulation Resistance :
 500MΩ / DC500V
 Using Temperature Range :
 -40℃ ~ +105℃
 Wire range : 24-12 AWG
 Screw Torque Value : 0.5 N.m

技术要求:
 间距: 5.08mm
 额定电压: 300V
 额定电流: 12A
 耐电压值: AC2500V/min
 绝缘阻抗: 500MΩ/DC500V
 使用条件: -40℃~+105℃
 适用线规: 24-12 AWG
 螺丝扭矩: 0.5 N.m

	pitch dimension			Nominal dimension					— /
	over 0 to 6	over 6 to 10	over 10 to 24	over 0 to 30	over 30 to 60	over 60 to 100	over 100 to 150	0.05/10	
variable range	0 to 6	6 to 10	10 to 24	0 to 30	30 to 60	60 to 100	100 to 150	0.05/10	
Tolerance	±0.1	±0.15	±0.25	±0.2	±0.3	±0.5	±0.7	±1.0	

6.	LZ1-耳朵螺母	SM00B250000V	2	碳钢	三价铬钝化彩锌		
5.	LC10-5.08-焊脚	1011B00010V	P	紫铜	镀雾锡		
4.	LC1-5.08-螺丝	SPOYA305301V	P	碳钢	三价铬钝化彩锌		
3.	LC1-5.08-铜方块	F1A0BLC5083V	P	黄铜	镀锌		
2.	LC1-5.08-盖板	1001COYXXAV	1	PA66-V0			
1.	LC10MGC1-5.08-本体	1165MOYXXAV	1	PA66-V0			
NO.	NAME OF PART	NO. OF PART	Q'TY	MATERIAL	NOTES		
DES.	HH	DATE	2019/11/07	UNITS	MM	THIRD ANGLE PROJECTION	SHEET
CHK.		DATE		SIZE	A4		1 of 1
APP.		DATE		SCALE	1:1	DWG NO.	SP-2-1011003
						REV:	V0

上海有乐电气有限公司
Shanghai Youle Electric CO., LTD

TITLE LC10MGC1-5.08-XXP-1Y-00A
LC10MGC1-5.08-成品